



GLASS EMBEDDING  
SAFE AND FAST GLASS  
EMBEDDING SOLUTION FOR  
GLASS BALUSTRADES

BUILDING TRUST



# GLASS EMBEDDING FOR TOTAL VISION GLAZING

**MODERN ARCHITECTURE IS GLASS ARCHITECTURE.** Light-flooded spaces and transparency in the buildings as well as outwards are the mirror of our present society, which is becoming more and more transparent through the digitalization. This transparency is not to be interrupted by the balconies. This is why glass balconies are increasingly being used. When it comes to connecting glass to the frame, Sika has always a suitable and economical solution. For total vision glazing and glass balustrades, ideally the glass panes should be fixed to the floor with low punctual stress transfer to the glass. Especially as tempered and safety glass are normally used. With SikaForce®-335 GG (former SikaGlaze® GG-735) the bottom glass edge is embedded in standard U-profiles, and loads are securely transferred through the glass elements thus results in uniform stress distribution. SikaForce®-335 GG creates a strong and real flexible fastening solution capable of withstanding highest static and impact load requirements and is ideal for horizontal glass wall grouting jobs. The installation of the glass panes is very simple and be easily removed and replaced in the event of repair work.

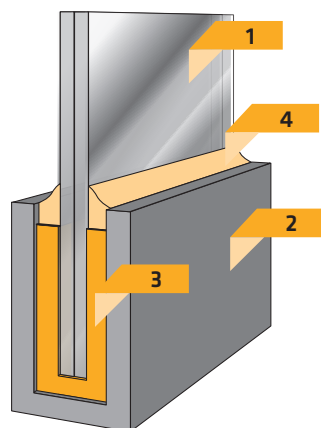
## BENEFITS

- Stress-free embedding of glass balustrades
- Suitable for laminated safety glass
- Fast installation
- Use of standard U-profiles
- Minimal planning and preparation work required
- Approved by notified bodies



# THE PRODUCTS GROUTING SYSTEM FOR GLASS BALUSTRADES

**WHAT MADE US CHOOSE THE BEST TECHNOLOGY FOR GLASS EMBEDDING?** It is the mechanics and the workability which makes the difference to the alternatives offered in the market. The Sika products for glass embedding offer just enough flexibility to take up some movement created by impact or thermal dilatation. On the other hand, their stiffness avoid wiggling of the balustrade. To prove that, SikaForce®-335 GG is certified complying with the technical regulations for the use of Safety Barrier Glazing (TRAV) which is a third party evaluation report. At the same time, the application of the products is very simple and therefore also very economical. In exterior applications the glass embedding products are protected against weathering by Sikasil® Weathersealing sealants.



- 1 Glass Balustrade
- 2 Metallic Clamped Support
- 3 SikaForce®-335 GG
- 4 Sikasil® Weather Sealant

SikaForce®-335 GG	
Base	Two component polyurethane
Potlife	30 min
Shore D	60
Viscosity mixed	10 Pas for horizontal application Self leveling for easy manual / machine application (viscosity similar to honey)
Compatible with laminated glass	Yes
Packaging	Component A Can 5 kg, Pail 25 kg Component B Can 1 kg, 5 kg

Product name: SikaGlaze® GG-735 changes to SikaForce®-335 GG. The product formulation and its performance remain the same. The original test results, technical information and relevant documents continue to be representative also for SikaForce®-335 GG.

# GLOBAL BUT LOCAL PARTNERSHIP



## FOR MORE INFORMATION:



[www.sika.com/facade](http://www.sika.com/facade)

Sika AG, Switzerland, is a globally active specialty chemicals company. Sika supplies the building and construction industry as well as manufacturing industries (automotive, bus, truck, rail, solar and wind power plants, facades). Sika is a leader in processing materials used in sealing, bonding, damping, reinforcing and protecting loadbearing structures. Sika's product lines feature high quality concrete admixtures, specialty mortars, sealants and adhesives, damping and reinforcing materials, structural strengthening systems, industrial flooring as well as roofing and waterproofing systems.



Our most current General Sales Conditions shall apply. Please consult the most current local Product Data Sheet prior to any use.



**SIKA SERVICES AG**  
Tueffenwies 16  
CH-8048 Zurich  
Switzerland

**Contact**  
Phone +41 58 436 40 40  
Fax +41 58 436 55 30  
[www.sika.com/industry](http://www.sika.com/industry)

**BUILDING TRUST**

